



IP66 Industrial Peristaltic Pump

Model : HPM600-SS/EasyPump

Flow Rate : 0.0053-3100mL/min

IP rate : IP66



Introduction

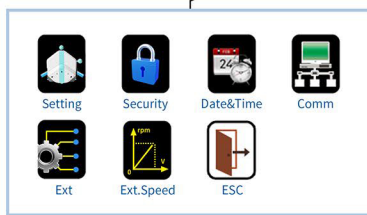
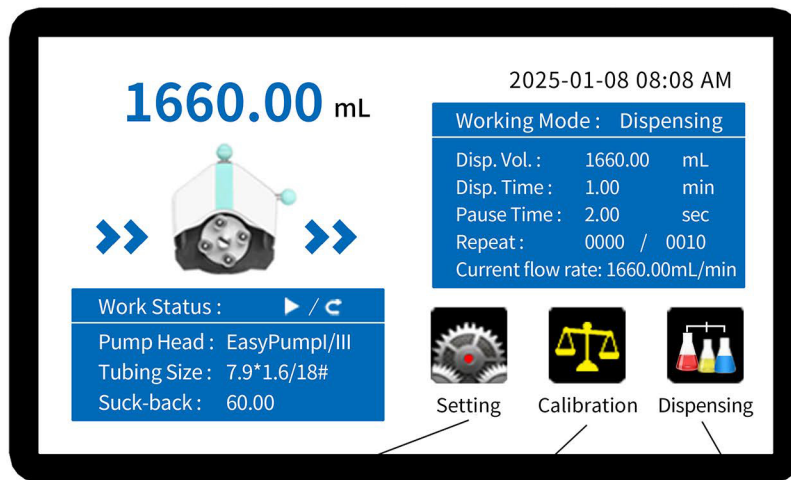
- Equipped with a 4.3-inch color LCD touchscreen.
- Features real-time animation to display current operating status.
- Flow rate data, preset parameters, and system configurations are all displayed on a single screen.
- Built-in smart calibration function.
- Supports multiple external control modes to easily meet remote operation requirements.
- Features a three-level user authority management system.

Product Features

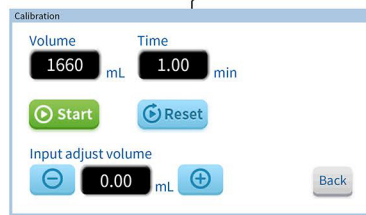
- The external control interface features internal and external circuit isolation, minimizing electromagnetic interference and accidental damage to ensure the safe operation of the main control system and connected equipment.
- Designed to meet GMP certification requirements; the stainless steel housing is sleek, easy to clean, and simple to disinfect.
- The entire unit features an IP66 protection rating, ensuring long-term stable operation.
- Includes an "Lid open stop" function, preventing accidental operation and ensuring user safety.



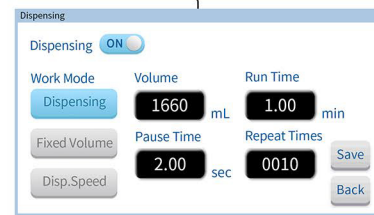
Control Interface



Setting



Calibration



Dispensing

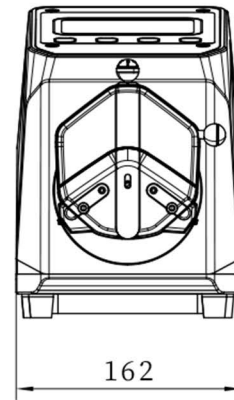
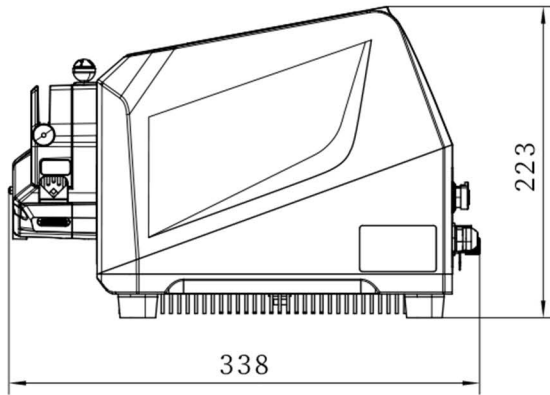
Pump Head



| Pump Head | Tubing Size | Speed | Flow rate(mL/min) |
|----------------|-----------------------------------|------------|-------------------|
| EasyPump I/III | 13#, 14#, 19#, 16#, 25#, 17#, 18# | 0.1-600rpm | 0.0053-2580 |
| EasyPump II/IV | 15#, 24#, 35#, 36# | | 0.18-3100 |
| EasyPump V/VI | 13#, 14#, 19#, 16#, 25# | | 0.0053-1180 |



■ Dimension Drawing(mm)





Specifications

| | |
|----------------------------------|--|
| EMC Standard | IEC 61000-6-2/IEC 61000-6-4/IEC 61000-3-2/IEC 61000-3-3 |
| Housing material | Stainless Steel 304 |
| Speed range | 0.1-600 rpm |
| Speed adjustment resolution | 0.01 rpm |
| Display | 4.3 inch-industrial grade- colorful LCD screen |
| Control modes | Touch screen, mechanical keypad, external control signal control, communication control |
| Working modes | Transferring mode, dispensing mode (Fixed volume, dispensing, speed dispensing) |
| Transferring mode | Continuous operation at set flow rate and speed |
| Dispensing mode | Dispensing: Set volume, time, repeat numbers, pause time |
| | Dispensing: set volume, flow rate, repeat numbers, pause time |
| | Speed dispensing: set speed (rpm), time, repeat numbers, pause time |
| Dispensing volume range | 0.1ml - 9999L |
| Dispensing time range | 0.1s - 9999h |
| Pause time range | 0.5s - 9999h |
| Repeat numbers | 1-9999 times, 0 means unlimited times |
| Calibration | Automatic calibration after inputting actual running liquid volume |
| Back suction angle | 0-360° |
| Communication interface | RS485 |
| Communication protocol | Modbus protocol (RTU mode) |
| External control speed signal | 0-5V, 0-10V, 4-20mA (for option) |
| External control signal input | Active switch signal (5-24V) controls start/stop, direction; Passive switch signal controls start/stop |
| Signal output | Open collector output operation status;4-20mA output |
| Open cover to stop pump function | Prevent misoperation and effectively protect user safety |
| three levels of permissions | Reasonable configuration of operation permissions |
| Drive dimension | 268mm*162mm*223mm (L*W*H) |
| Power supply | AC110-220V±10%,50/60Hz |
| Rated power | 100W |
| Working environment | 0-40°C |
| Drive weight | 11.5kg |
| Relative humidity | <100% |
| Protection level | IP66 |



■ IP Ratings



| | | | |
|----------|--|--|----------|
| 0 | NO protection | NO protection | 0 |
| 1 | Solid foreign objects diameter >50mm | Vertical dripping water | 1 |
| 2 | Solid foreign objects diameter >12mm | Dripping water when tilted at 15° | 2 |
| 3 | Solid foreign objects diameter >2.5mm | Spraying water | 3 |
| 4 | Solid foreign objects diameter >1mm | Splashing water | 4 |
| 5 | Dust protected | Water jets | 5 |
| 6 | Dust-tight | Powerful water jets | 6 |
| | | Short time immersion, up to 1 meter depth | 7 |
| | | Continuous immersion, 1 meter or more depth | 8 |