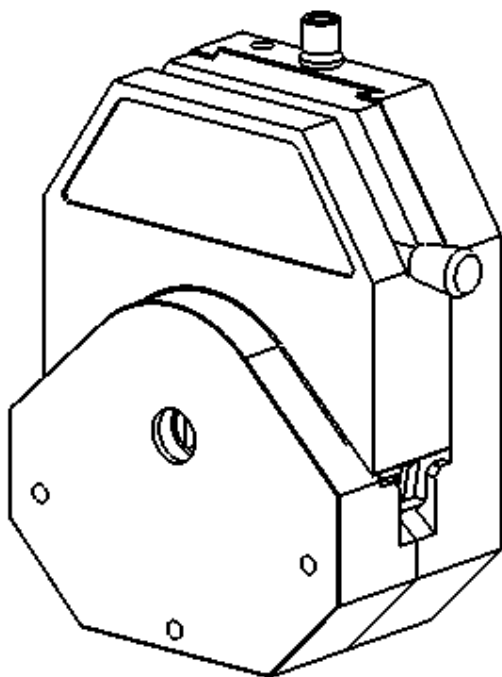


Shenchen Precision Pump Manual of YZ35 Aluminum Alloy Pump Head





Note

Please read the manual carefully before operating the product.



Warning:

Tubing may have cracks due to wear. It results in the overflow of fluid from tubing. In that time human body and instruments may be damaged. Therefore, the user must check frequently and change the tubing in time.

Catalog

1. Product Introduction:	- 1 -
2. Instructions.....	- 2 -
3. Installation Dimension.....	- 6 -
4. Maintenance	- 7 -
5. Warranty and After Service.....	- 8 -




1. Product Introduction:

It is very convenient to change tubing on an easy load pump head. Following customers' requirement, it can connect multi channels, suitable for OEM supporting application which reduce customer' repair and maintenance costs greatly.

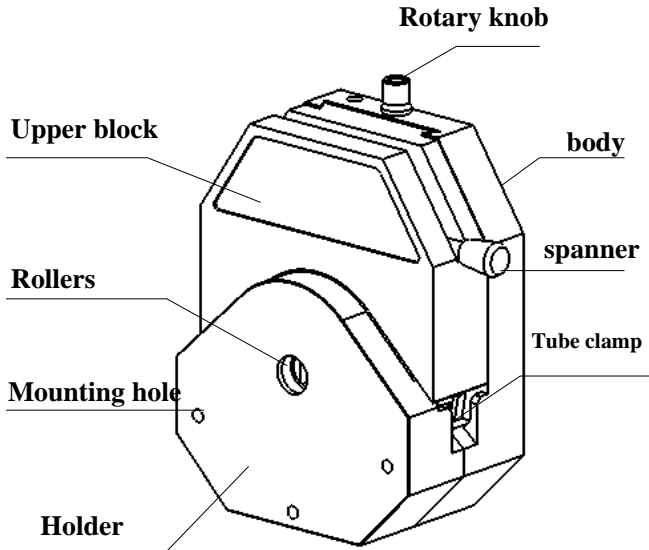
Easy load pump head specification as below:

Pump Head	Tube Type	Inside Diameter * Wall Thickness (mm)	ml/ rotation	Rotating Speed (0.1-600rpm) Flow range ml/min	Maximum Pressure (Mpa)		Material & weight	
					Intermittent	Continuous	Aluminum Alloy	PPS
YZ35	26#	6.4*3.3	6.9	0.69-4200	0.27	0.2	4.36	1.5
	73#	9.6*3.3	12.3	1.23-7400				
	82#	12.7*3.3	20	2-12000	0.14	0.1		

Tubing Specification

Type		Industrial Tubing		
Size		26#	73#	82#
Tubing Cross Section				
Wall Thickness(mm)		3.3		
Inside Diameter(mm)		6.4	9.6	12.7
Maximum pressure (Mpa)	Continuous	0.2		
	intermittent	0.27		

2. Instructions



■ Tube Installation

Pull the spanner anti-clockwise 180° to open the upper block.

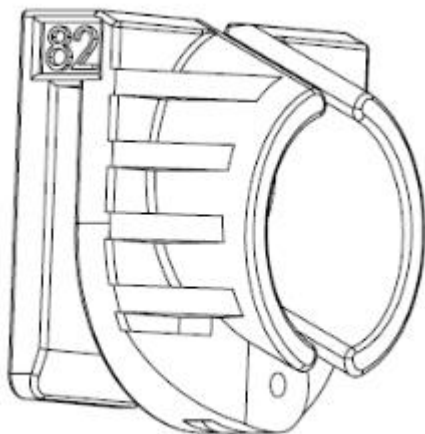
Put the tube between rollers and upper block, then pull the tube front and back to adjust it.

Pull the spanner clockwise 180° to put the upper block in place, the clamp will lock the tube and keep the tube from moving when the pump head is working.

■ External Tube Clamp Installation

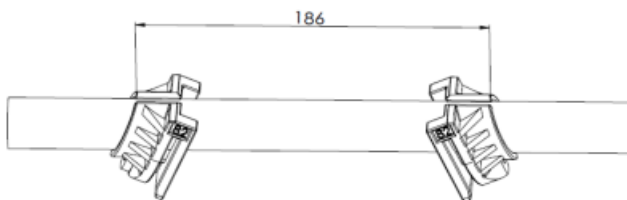
The external tube clamp can reduce the vibration at the tube outlet. In addition, it effectively prevents the wear phenomenon caused by the angled tilt of the tube outlet during the customer use.

External tube clamp: 26#,73#,82#; in general applicable to PharMed tube.



External Tube Clamp

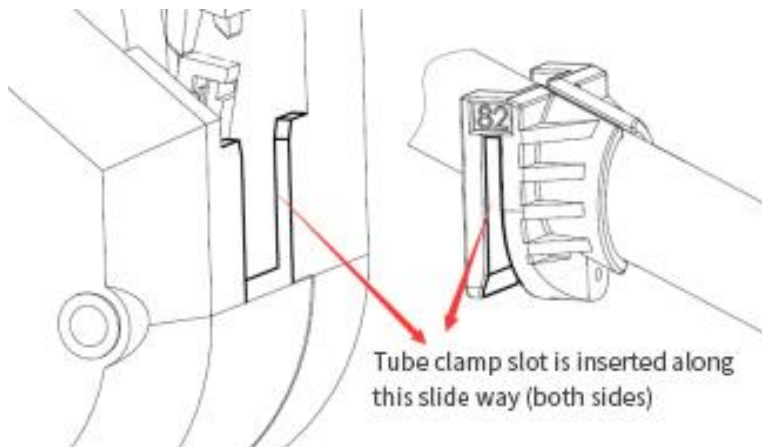
The installation method is as follows:



Draw two lines with a distance of 186 mm on the tube.

Put the tube between rollers and upper block, then pull the tube back and forward to adjust it.

Put the external tube clamp on both sides of the tube respectively.



After the external tube clamps on both sides are installed into the groove, and the tube has been adjusted to make the outermost sides of the tube clamp coincide with the marked line on the tube. Then press down the upper block.

■ Pump Head Installation

Insert three screws into the pump head mounting hole respectively, then insert the spindle nose of pump head into drive mounting hole, fasten the screws respectively.

When using multiple pump heads, you need longer screws.

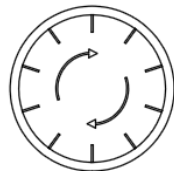
When using multiple pump heads, rollers need mount stagger.

Note: Users need to fasten the screws with similar force, and it should not be too tight, to avoid the holder to deform and make working noise.

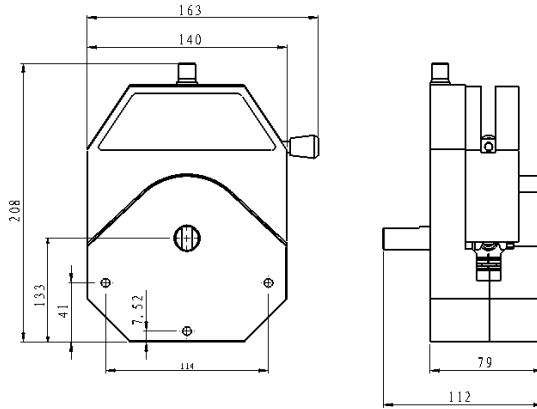
■ YZ35 Pressure Adjustment

Can adjust pressure by the rotary knob on pump head body, rotate with the arrow direction, pressure enlarge, otherwise reduce.

When you adjust pressure, please loosen the hexagon socket fastening screw in the middle of the knob, when you finished adjusting, then tighten the screw.



3. Installation Dimension



4. Maintenance

When pump is not working, please loosen the cartridges pressing the tubing to avoid changing the shape of the tubing because of longtime extrusion.

Keep the rollers of the pump head clean and dry, otherwise it can quicken the wearing of the tubing, reduce the useful life of the tubing and lead the rollers to damage in earlier.

The pump head cannot resist super corrosive liquid. Please pay attention to it when using it.

5. Warranty and After Service

Products have 1 year warranty (not including tubing). In the warranty, if the products are damaged because of users' wrong operation or other human damages, our company is not responsible for warranty. Beyond the warranty, we only charge the cost of maintenance.

MADE IN CHINA

Baoding Shenchen Precision Pump Co., Ltd.

Address: No. 103, Building 2, Pivot Industrial Park, FuXing East Road 999, Baoding, China.

Tel: 86-0312-6780680 6780681

Fax: 86-312-6780636

Website: www.good-pump.com

Email: info@good-pump.com

