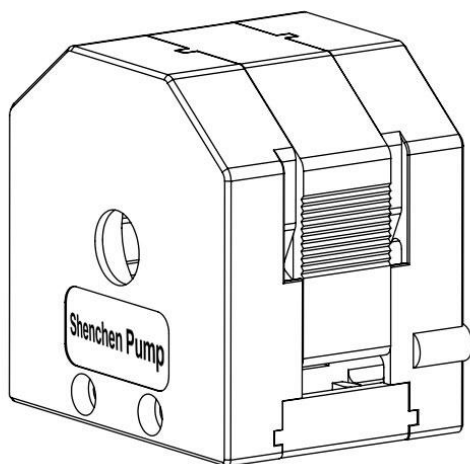


# Shenchen Minipump Instruction



Baoding Shenchen Precision Pump Co.,Ltd.

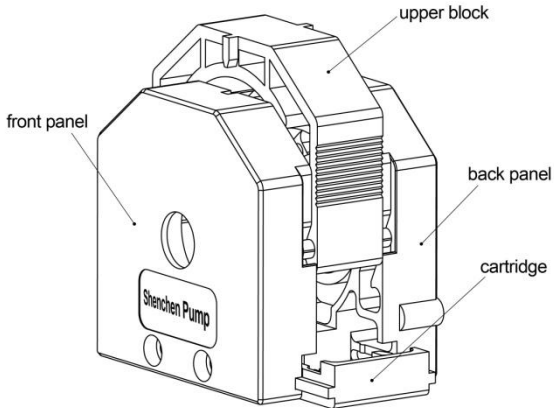
### **Product Introduction:**

MiniPump series products which adopt compact and embedded design are more suitable for supporting a variety of instruments and equipments. Single and dual channel are optional. It accepts 8 kinds of tubing. Flow rates are 0.0024-190mL/min. PharMed BPT long life tubing from French Saint-Gobain is installed in internal part of pump head. Applicable motors for Minipump are stepper motor, DC motor, AC motor and other modes to drive with wide applications.

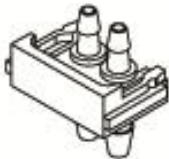
### **Product Features**

- Attractive appearance, compact structure, easy operation, economical cost.
- Accept many kinds of motors to drive, such as DC motor, stepper
- Supply several colors of appearance, ideal for supporting analytical instruments.

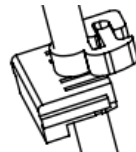
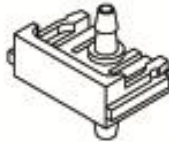
**Minipump pump head instruction :**



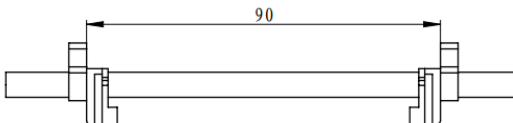
tubing clamp and connector, tubing clamp and hoop



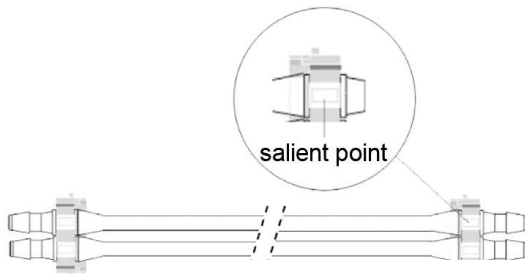
tubing clamp and connector



tubing clamp and hoop



**Tubing and clamp installation**



**Tubing and connector installation**

**Tubing Installation Procedure:**

Step 1. Press both sides of upper block, raise the upper block out.

Step 2. Install the tubing on the connector (hoop), and make the connector (hoop) install into the clamp.

Note: Pls refer to the salient point on the connector, make sure the tubing in a straight line.

Step 3. Push the two sides clamp into slide way, make sure the tubing straightly press on the roller, don't twist it.

Step 4. Press the upper block into the pump head, and ensure it fixed.

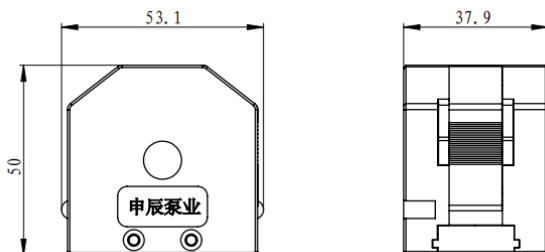
Note: 1. Tubing clamps and the connectors have to correspond with the tubing size.

2. If you need to change to a different tubing size at a later stage, then you need the suitable clamp and tubing connector

3. One set of inner tubing and connector and clamp will be provided as default, please confirm the size with the sales Representative before the order.

4. Tubing clams and connector sold as spare parts

**MiniPump pump head dimension:**



**Minipump head type :**

Minipump01, 1 channele,

Suitable tubing szie : 13#14#16#25#,

Flow rate : 0.0024-190ml/min

minipump02, 2 channel,

Suitable tubing size : Tubing wallthickness is 1mm, tubing ID is 1mm,2mm, 2.5mm,3mm,

Flow rate : 0.005-108.39ml/min

## Compact Minipump Flow Rate Parameter:

### 1.Minipump01:

Rotation (rpm)	Minipump01 Flow rates(mL/min)and tubing ID ( 1.6mm wall thickness,single channel )			
	ID:0.8mm (13#)	ID:1.6mm (14#)	ID:3.1mm (16#)	ID:4.8mm (25#)
5	0.12	0.56	1.97	3.26
10	0.26	1.15	3.90	6.41
15	0.39	1.74	5.80	9.52
25	0.66	2.88	9.59	15.74
40	1.08	4.59	15.29	25.15
50	1.34	5.69	18.96	31.14
75	2.00	8.54	28.36	46.55
100	2.73	11.37	37.66	61.98
200	5.46	22.76	76.02	124.14
250	6.81	28.40	95.08	153.63
300	8.28	33.88	114.31	190.00

Chart 1

### 2.Minipump02:

Rotation (rpm)	minipump02 Flow rates(mL/min)and tubing wall thickness 1mm ,dual channel			
	ID:1mm	ID:2mm	ID: 2.5mm	ID:3mm
5	0.25	0.90	1.28	1.78
10	0.49	1.84	2.59	3.52
15	0.74	2.76	3.85	5.30
25	1.25	4.57	6.43	8.80
40	2.00	7.31	10.25	14.02
50	2.52	9.14	12.78	17.47
75	3.76	13.64	19.04	26.12
100	5.03	18.17	25.42	35.34
200	10.12	36.45	51.27	71.44
250	12.63	45.75	64.34	88.35
300	15.01	54.63	76.84	108.39

## **Maintenance**

When pump is not working, please loose the cartridges of pressing the tubing for avoiding changing the shape of tubing because of longtime extrusion.

Keep the rollers of pump head clean and dry, otherwise it can quicken the tubing wearing, reduce the useful life of tubing and lead the rollers to damage in earlier.

Pump head can not resist super corrosive liquid. Please pay attention to it when it is using.

MADE IN CHINA

**Baoding Shenchen Precision Pump Co., Ltd.**

Address: No. 103, Building 2, Pivot Industrial Park, FuXing East Road, Baoding,  
China.

Tel: 86-312-6780680, 6780681

Fax: 86-312-6780636

Website: [www.good-pump.com](http://www.good-pump.com)

Email: [info@good-pump.com](mailto:info@good-pump.com)