

Low Pulsation Pump Head

DY15, DY25



Product Introduction

The 'low pulsation' pump head is specialized for high precision filling. Through the phase difference between the two sets of rollers, make the pulse crest and trough complementary, reducing the fluid pulsation effectively, reach high precision liquid transferring.

Model Number

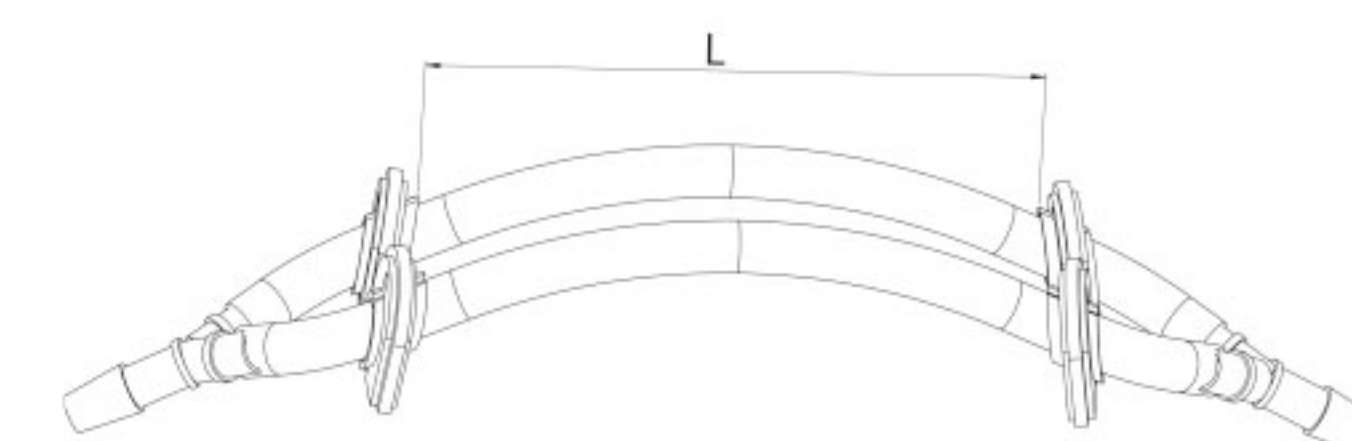
| DY15, DY25

Typical Application

High precision dosing micro liquid.

"Y" connector and tubing cartridge schematic diagram

The tubing length is 125mm between two cartridges



Tubing Installation Procedure

1. Lift both side levers, take off the upper block.



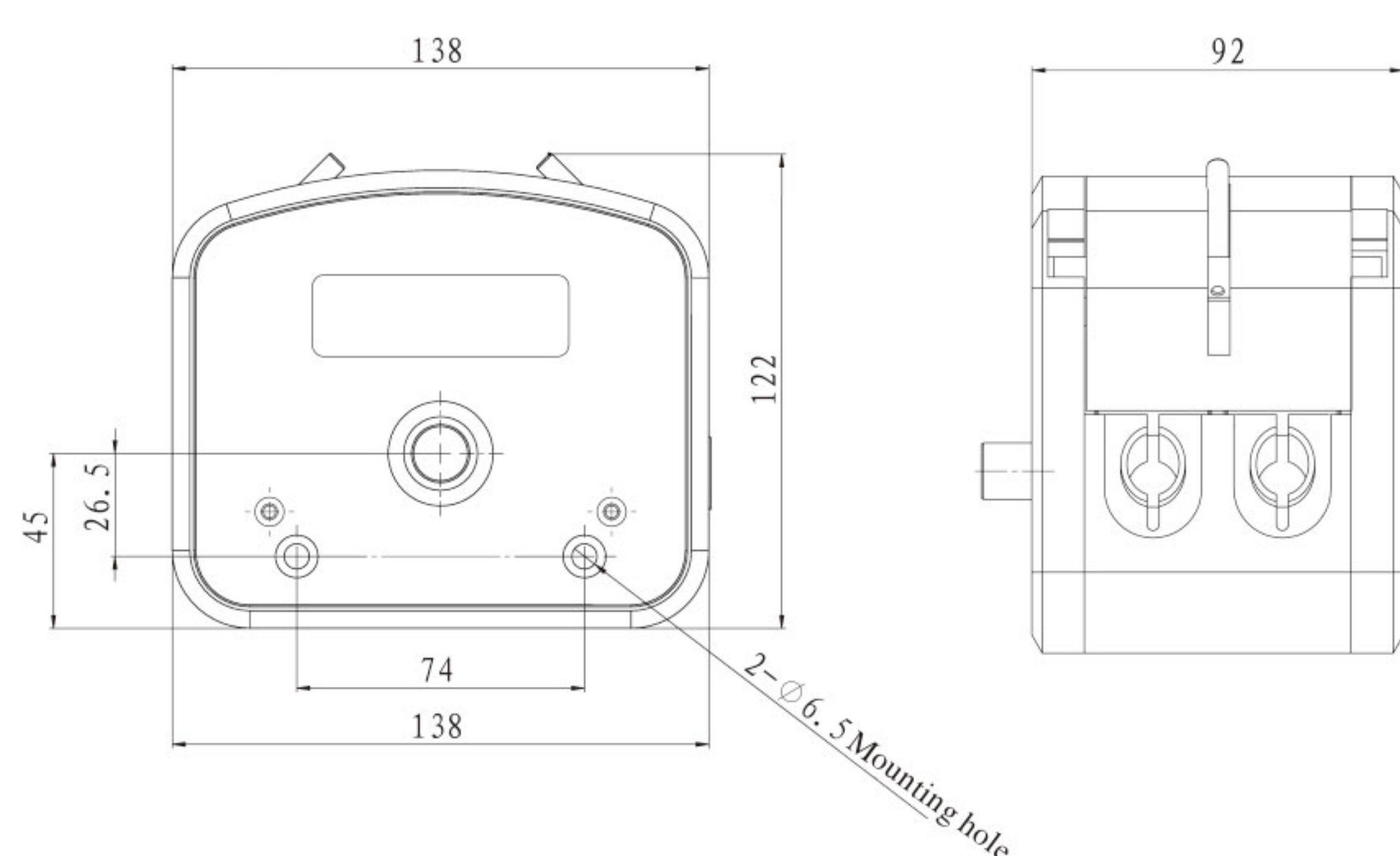
2. Put the tubing with tubing clamp into pump housing.



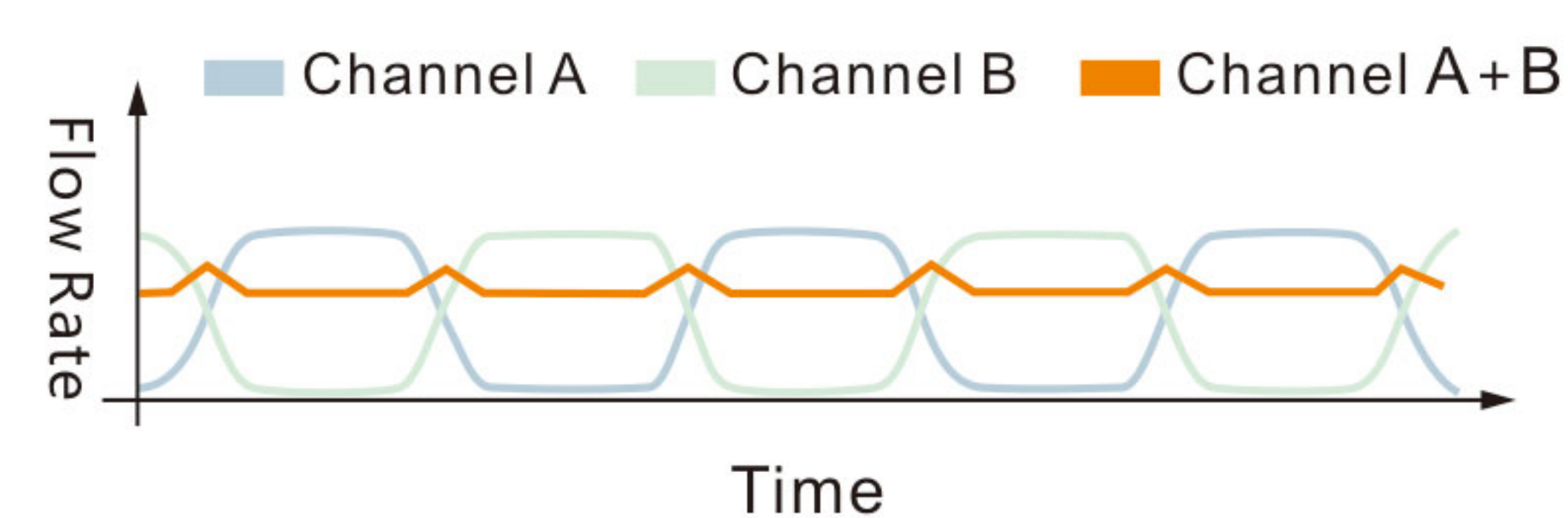
3. Install the upper block, put down the levers to lock the block.



Dimension Drawing (Unit: mm)



Pulsation Reduction Schematic Diagram



Technical Specifications

Model No.	Housing Material	Tubing Clamp Material	Tubing		Flow Rate (mL/min) (0.1~350rpm)	Weight (kg)
			Tubing Sizes	ID × Wall Thickness		
DY15	Aluminum alloy	PP	13 [#]	0.8 × 1.6(mm)	0.01~48	3.2
			14 [#]	1.6 × 1.6(mm)	0.06~223	
			19 [#]	2.4 × 1.6(mm)	0.13~448	
			16 [#]	3.1 × 1.6(mm)	0.2~723	
			25 [#]	4.8 × 1.6(mm)	0.47~1626	
			17 [#]	6.4 × 1.6(mm)	0.64~2230	
DY25	Aluminum alloy	PP	18 [#]	7.9 × 1.6(mm)	0.95~3337	3.2
			15 [#]	4.8 × 2.4(mm)	0.42~1480	
			24 [#]	6.4 × 2.4(mm)	0.76~2670	
			35 [#]	7.9 × 2.4(mm)	1~3600	
			36 [#]	9.6 × 2.4(mm)	1.24~4340	

