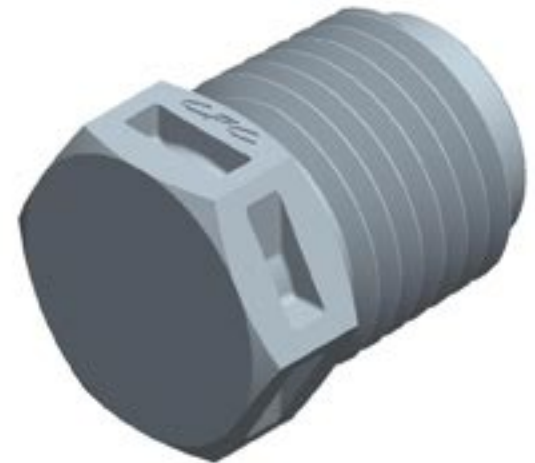
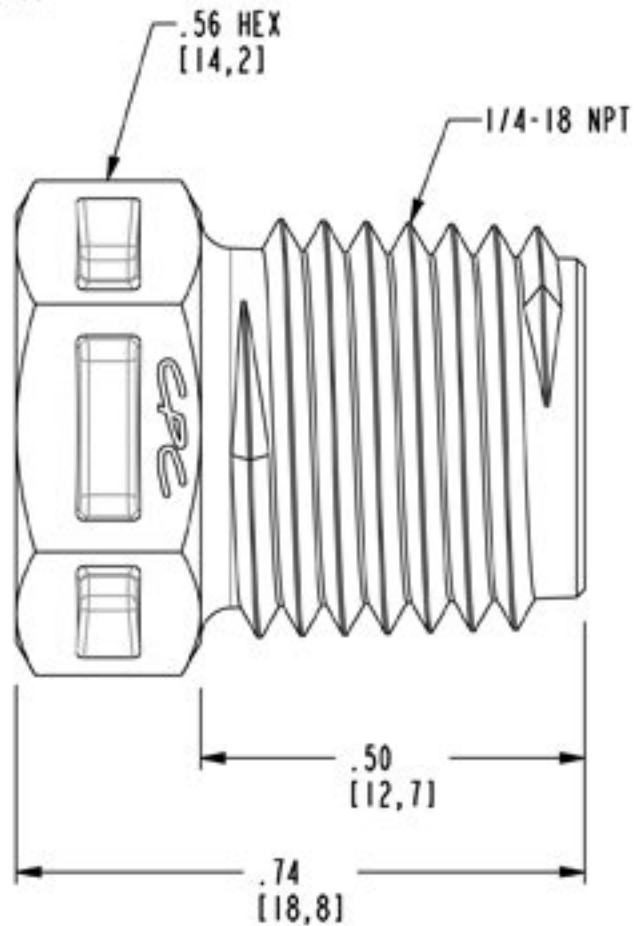


DWG NO: N8P-CUST

NOTES:

MATERIAL: POLYPROPYLENE
FDA 21 CFR 177.1500
RoHS COMPLIANT
ANIMAL FREE
USP CLASS VI
COLOR: NATURAL



 1 800 444 2474 cpcworldwide.com

PROJECT 1/4 NPT PLUG FITTING
7362 (CUSTOMER DRAWING)

DWG BY: DHB DATE: 06/26/09 CHKD BY:

MATL/FIN: SEE NOTE DWG NO: N8P-CUST